

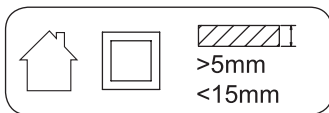
Filix

Installation manual

Please read these instructions carefully before commencing installation and retain for future reference. If in doubt, we advise that you consult a qualified electrician to install the product. These products must not be modified. If any modification is made it may invalidate the warranty and may render the product unsafe. All electrical installations must be carried out according to current IEE Wiring Regulations.

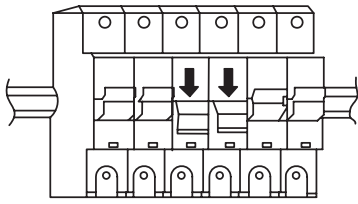
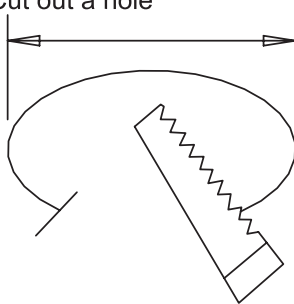
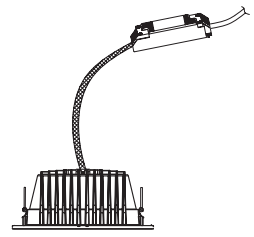
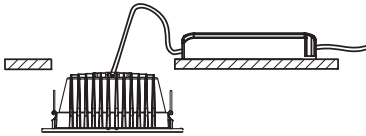
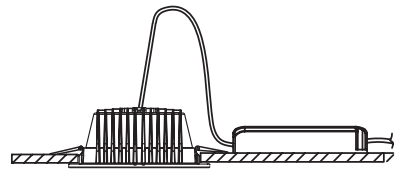
Important safety notes

1. Switch off the electricity at the mains before commencing installation or lamp change and (if a fuse box is used) remove the appropriate circuit fuse to avoid accidental switching on of the mains supply.
2. Make sure all connections are tight with no loose strands.
3. Ensure fire regulations are not breached when fitting your lights.
4. If you are in any doubt regarding these instructions, consult a qualified electrician.



1. For indoor use only.
2. Please ensure that the packaging is disposed of in a safe environment.
3. If cable is defected, do not use or exchange the cable.
4. We do recommend that a qualified electrician should be used to install the products.
5. Do not look at the lighted lamp directly.

Installation Step

<p>1 Cut off power</p> <p style="text-align: center;">OFF</p> 	<p>2 Cut out a hole</p> 	<p>3 Connect wires</p> 						
<p>4 Insert the luminaire</p> 	<table border="1"> <thead> <tr> <th>Item</th> <th>Holesize</th> </tr> </thead> <tbody> <tr> <td>Filix D195</td> <td>Ø170mm</td> </tr> <tr> <td>Filix D235</td> <td>Ø200mm</td> </tr> </tbody> </table>	Item	Holesize	Filix D195	Ø170mm	Filix D235	Ø200mm	<p>5 Done</p> 
Item	Holesize							
Filix D195	Ø170mm							
Filix D235	Ø200mm							