

## ! WARNING!

- Parts List : LED T8 CCG Compatible Tube, Installation Instructions, LED Starter
- Please read the installation instruction carefully and follow instructions to ensure safety.
- The LED tube is only suitable for 50/60 Hz operation as described at the pictogram below.



- Only to apply in dry indoor usage and environments, outdoor applications requires an IP rated fixtures.
- LED lamp must be installed by a professional electrician.
- Once it is installed, do not change any components or structure of LED lamp.
- This lamp is designed for general lighting service (excluding e.g. explosive atmospheres)
- Ambient Temperature (Ta) : -20°C to 50°C (-4°F to 122°F)
- This lamp may not be suitable for use in all applications where a traditional fluorescent lamp has been used. The temperature range of this lamp is more restricted. In case of doubt regarding the suitability of the application the manufacturer of this lamp should be consulted.
- No modifications of the luminaire which the LED lamp is to be used with are to be made.
- This lamp is designed to replace;
  - 600mm : T8 G13 18W
  - 1200mm : T8 G13 36W
  - 1500mm : T8 G13 58W



[www.auralight.com](http://www.auralight.com)



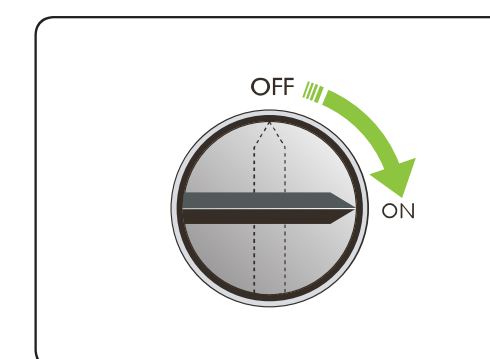
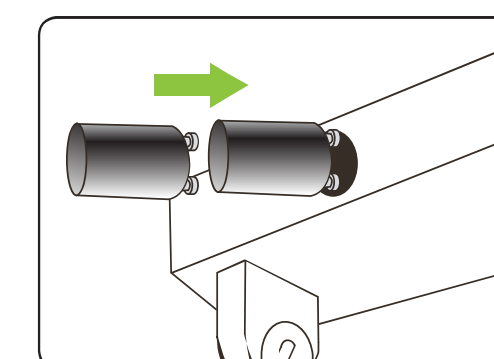
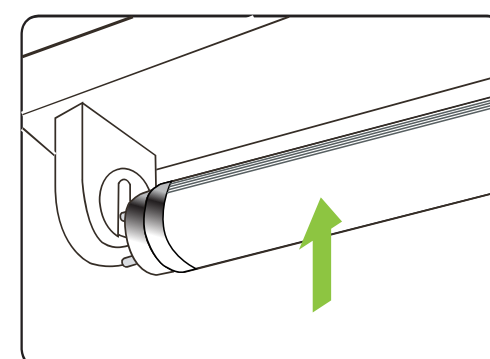
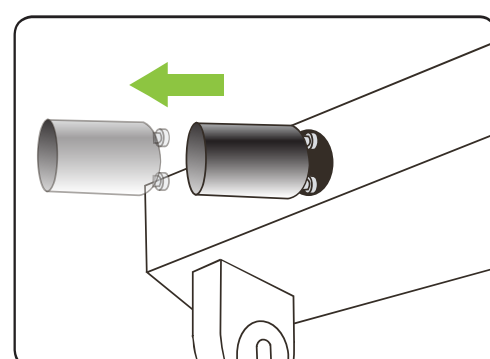
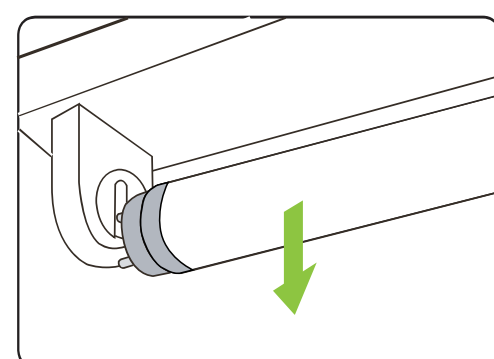
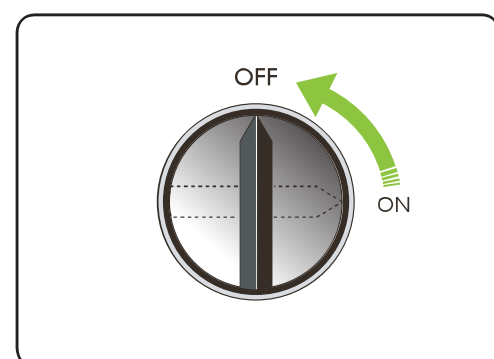
Aura LED T8 G3



## ■ Specification

Length (mm)	Base	Power (W)	Voltage (V)	Input Current (mA)	Colour Temperature(K)
600	G13	7	220-240	32	3000 / 4000
1200	G13	13,5	220-240	78	3000 / 4000
1500	G13	23,5	220-240	97	3000 / 4000

\* Series connected lamps require AC direct rewiring (Typically in 600mm installations)



EN 1. Turn the power off

1. Remove all existing fluorescent tubes from luminaires if any

3. Remove all existing starters from luminaires if any

4. Install Aura LED T8 G3 LED retrofit lamp, secure the position by turning the lamp by 90°

5. Install LED starter

6. Turn the power on

SE 1. Stäng av strömmen

2. Ta bort alla befintliga lysrör från armaturen

3. Ta bort alla befintliga tändare från armaturen

4. Installera Aura LED T8 G3 LED retrofit, säkra positionen genom att vrida ljuskällan 90°

5. Installera LED-tändaren

6. Sätt på strömmen

NO 1. Slå av strømmen

2. Ta ut alle eksisterende lysrør fra armaturen

3. Ta ut alle eksisterende tennere fra armaturen

4. Installer Aura LED T8 G3 retrofit røret, sikre posisjon ved å vri på røret 90°

5. Innstaller LED-tenneren

6. Slå på strømmen

DK 1. Sluk for spændingen

2. Fjern alle lysstofrør fra armaturet

3. Fjern alle startere fra armaturet

4. Monter Aura LED T8 G3 retrofit lysstofrør sikre positionen ved at dreje lyskilden 90°.

5. Sæt LED starteren i armaturet

6. Tænd for spændingen

FIN 1. Katkaise virta

2. Poista valaisimista kaikki loistelamput

3. Poista valaisimista kaikki sytyttimet

4. Asenna Aura LED T8 G3 retrofit-lamppu varmista asennus kääntämällä lamppua 90°.

5. Asenna LED-sytytin

6. Kytke virta päälle

DE 1. Schalten Sie die Leuchte stromfrei

2. Entfernen Sie alle Leuchtstofflamp-en insofern vorhanden

3. Entfernen Sie alle Leuchtstofflamp-en-Starter aus dem Schaltkreis insofern vorhanden

4. Setzen Sie die Aura LED T8 G3 Life LED-Röhre ein und drehen Sie die Lampe um 90° Grad, damit sie arretiert.

5. Installieren Sie den beigefügten Dummy Starter

6. Schalten Sie das Licht ein

NL 1. Schakel de stroom uit

2. Verwijder de fluorescentielamp-en indien aanwezig

3. Verwijder de starters indien aanwezig

4. Installeer de Aura LED T8 G3 retrofit lichtbron. Stel de positie van de lamp in door deze 90° te draaien

5. Installeer de LED starter

6. Schakel de stroom in

ES 1. Desconecte la corriente

2. Retire los fluorescentes de las luminarias

3. Retire los cebadores de las luminarias, si los hay

4. Instale el tubo tipo retrofit Aura LED T8 G3. Asegurar la posición girando la lámpara 90°.

5. Instale el cebador para LED

6. Conecte la corriente

FR 1. Coupez l'électricité

2. Retirez tous les tubes fluorescents existants du luminaire

3. Retirez tous les starters existants du luminaire

4. Installez le tube Aura LED T8 G3 Retrofit et sécurisez sa position par une rotation à 90°

5. Installez le starter LED

6. Mettez le luminaire sous tension

PT 1. Desligue a corrente

2. Remova todos os tubos fluorescentes existentes nas luminárias

3. Remova todos os arrancadores existentes nas luminárias

4. Instale a lâmpada LED retrofit Aura LED T8 G3, e assegure-se da sua posição rodando a lâmpada a 90°

5. Instale o arrancador LED

6. Ligue a corrente

IT 1. Portare l'interruttore su OFF

2. Smontare tutti i tubi fluorescenti eventualmente presenti negli apparecchi di illuminazione

3. Smontare tutti gli starter eventualmente presenti negli apparecchi di illuminazione

4. Installare il tubo retrofit Aura LED T8 G3, fissare la posizione ruotando la lampada di 90°

5. Installare lo starter LED

6. Portare l'interruttore su ON

NB: If a power factor compensation capacitor is installed in the luminaire it may remain but it lowers the power factor.