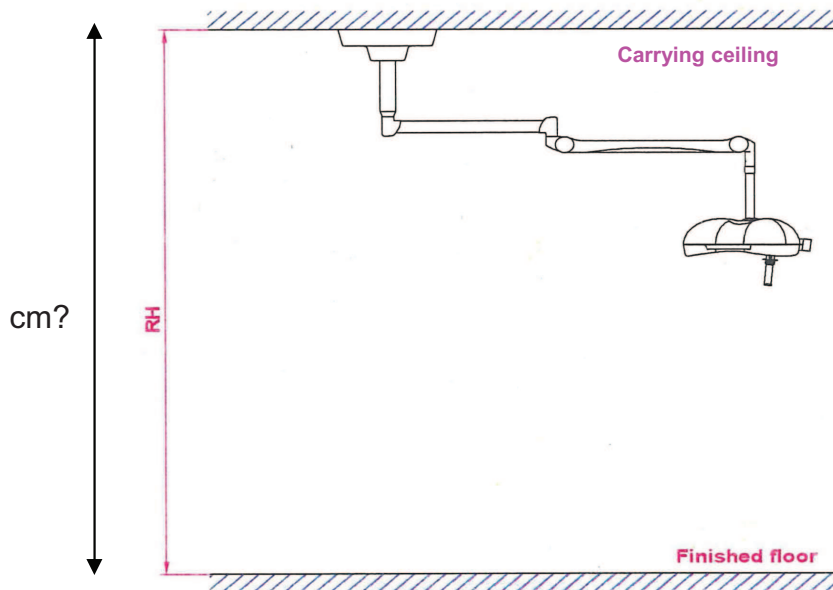
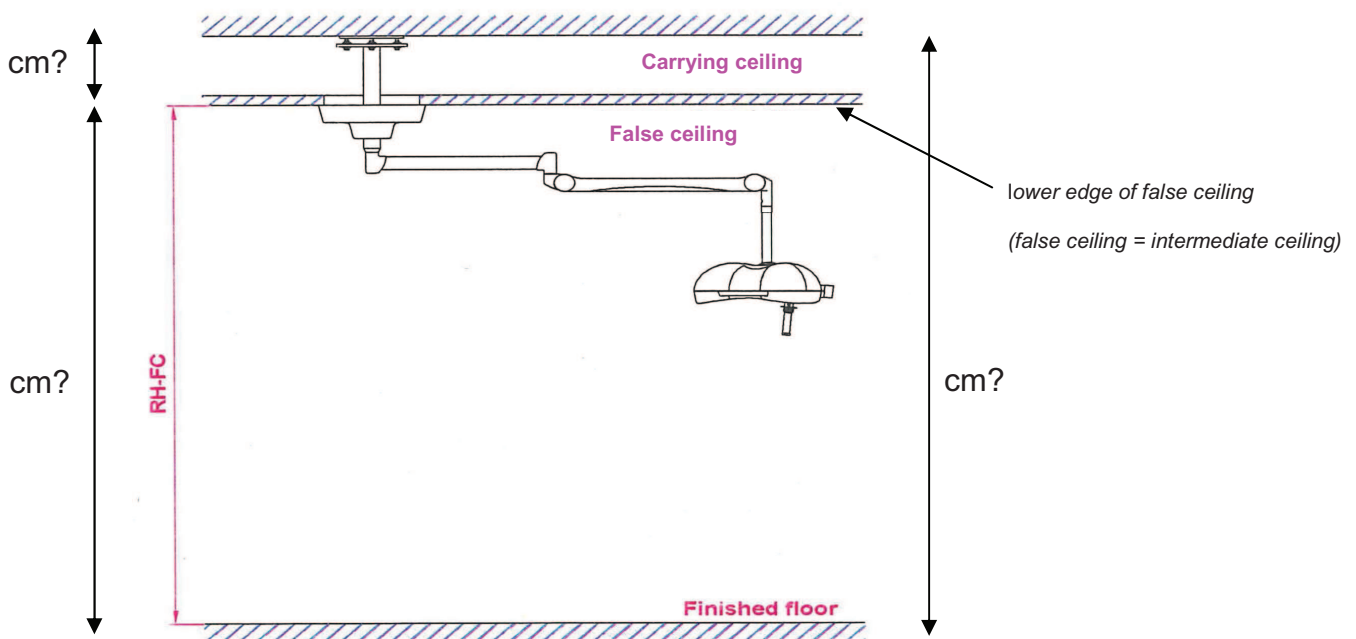


**Which information are needed when ordering a Dr. Mach OP/Examination lamp?
- Ceiling version -**



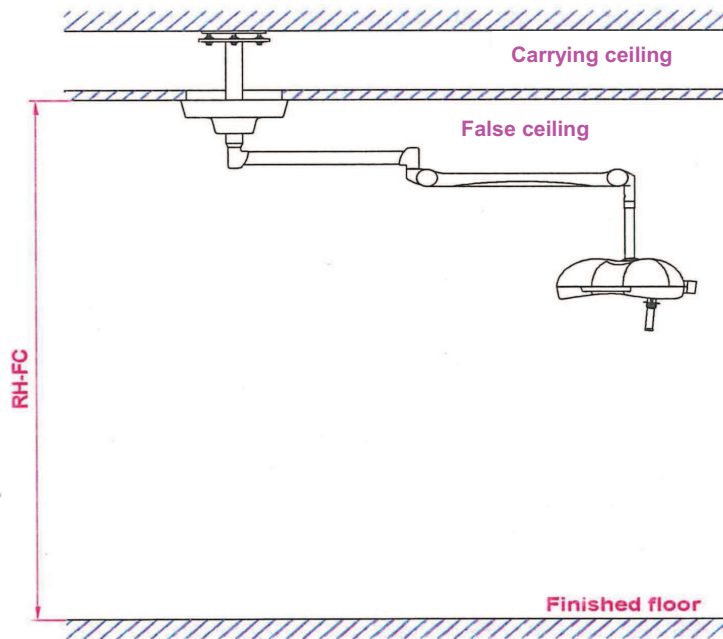
- 1.) RH: Fixation height from floor to carrying ceiling
(Please see graphic and state the dimensions when ordering!)



- 2.) a. RH – Height from floor to carrying ceiling
b. RH – FC: Room height from floor to lower edge of false ceiling
(Please see graphic and state the dimensions when ordering!)

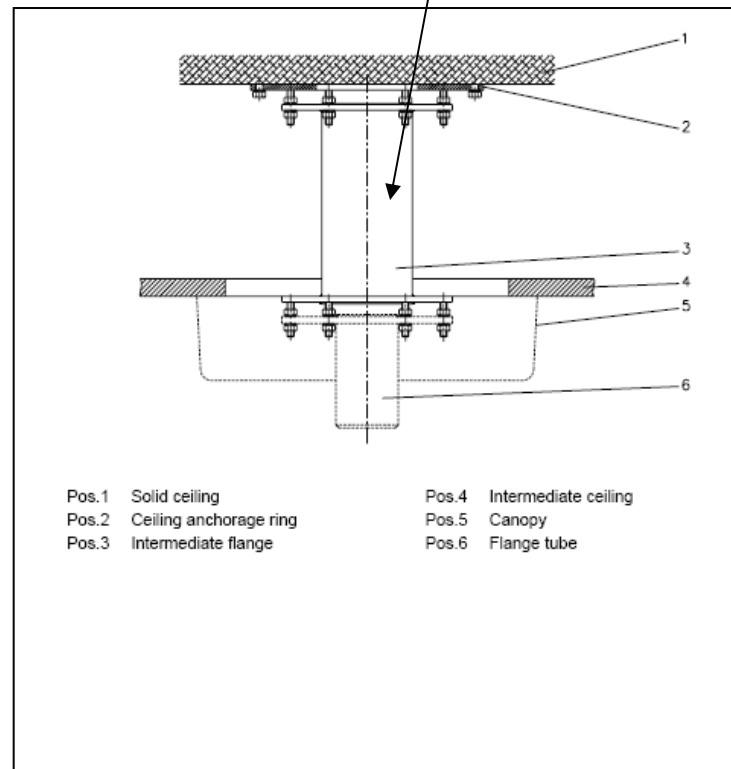
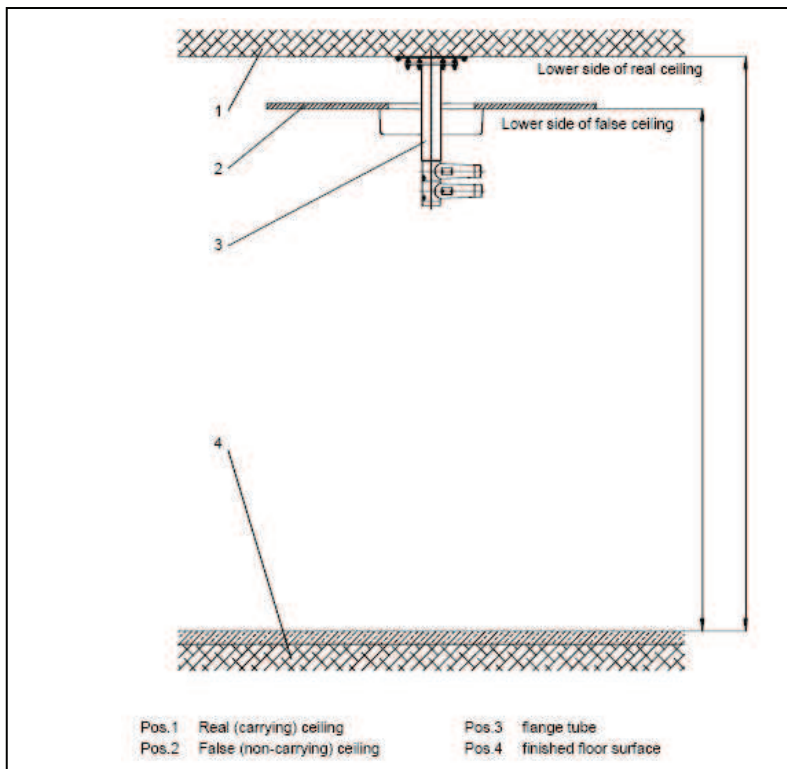
Please take into account that in **case of room height of 2,80m** the maximum passing height is between 1900 and 1950mm. This concerns the following ceiling models:
M3/M5/LED3MC/LED5MC/Mach380/500/Trigenflex.
All lamps for **room height below 2,80m** do not come with fully cardanic suspension but generally with special hanging adapted for low room heights.

Alternative information for rooms with closed false ceiling: e.g. Operation theatre



- 3.) a. RH – Height from floor to carrying ceiling
 b. RH – FC: Room height from floor to lower edge of false ceiling
 (Please see graphic and state the dimensions when ordering!)

c. Rooms fitted with closed ceilings e.g. **operation rooms** may require an **intermediate flange***



For mounting in operating rooms with laminar flow ceilings please ask separately!